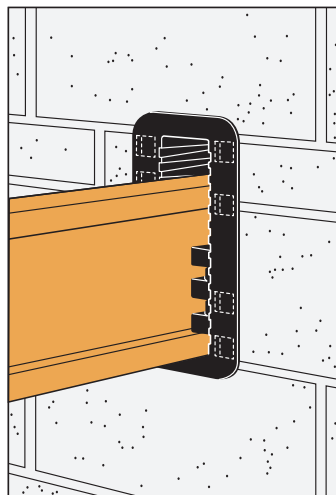
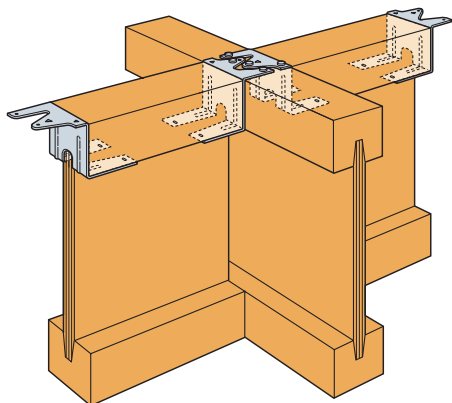
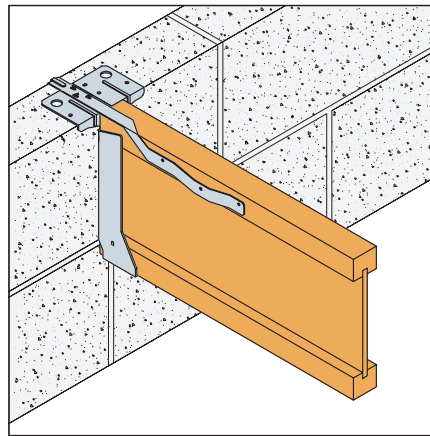
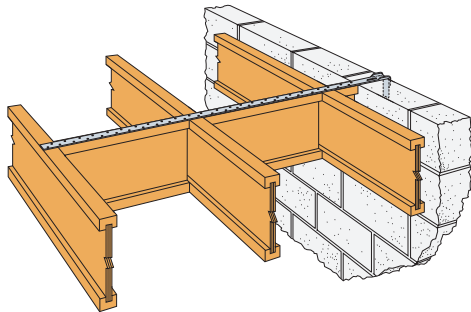
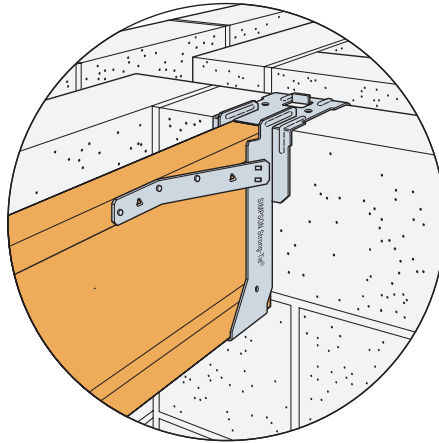
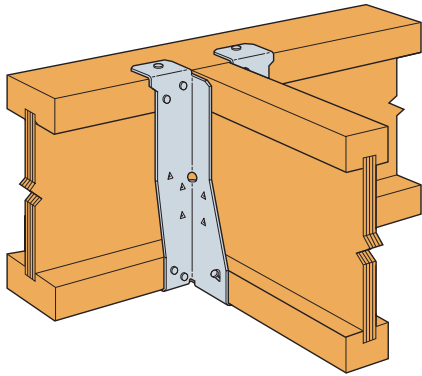


For use with the STEICOjoist System

FOR USE WITH PRODUCTS
MANUFACTURED BY:



This guide lists popular options for Simpson Strong-Tie® hangers used with STEICOjoist. Not all available hanger and installation combinations are listed. Use other current Simpson Strong-Tie® literature, for other conditions and additional information.

01827 255 600
www.strongtie.co.uk
STEICO
01322 303434
www.steico.com

For use with the STEICO Joist System

Page 2 of 16

GENERAL NOTES

1. Shaded hangers require web stiffeners at joist ends.
Web stiffeners may be required for other non-shaded hangers.
2. All loads are hanger safe working loads in kN, and are based on hanger capacity NOT joist capacity which must be checked by the joist designer.
3. Down loads represent long term loading. Other load durations may apply - contact Simpson Strong-Tie technical department for details.
4. Uplift loads have been increased for short term wind loading. Reduce according to the standards for long term loading criteria like cantilever construction.
5. Hanger capacities will need to be checked if hanger is supported from other than STEICO products. Contact Simpson Strong-Tie technical department for details.
6. All I-Joists that are installed as headers should be installed in accordance with the STEICO technical literature.
7. For JHMI and HJHMI masonry hangers a minimum 3 courses of solid block (675mm masonry) required above the hanger with the mortar fully cured before applying load.
8. If hanger height is less than 60% of joist height, joist rotation may occur.
9. A minimum nail penetration is required to achieve loads listed for face mount hangers. Reduce the loads using straight line interpolation for header widths less than the minimum penetration.
75mm nails minimum penetration = 45mm
90mm nails minimum penetration = 50mm
10. Top flange hanger configuration and thickness of top flange need to be considered for flush floor conditions.
11. Contact Simpson Strong-Tie for special hangers.

Refer to the current Simpson Strong-Tie full-line catalogue for General Notes, Warranty Information and other important information including Terms and Conditions of sale.

01827 255 600
www.strongtie.co.uk
STEICO
01322 303434
www.steico.com

T-UK-CSGSA 6/07

Timber Top Flange Hangers

WHEN HEADER IS AN STEICO joist

Model Series	Web Stiffeners Required	Backer Blocks Required	Fastener Type			Safe Working Loads kN	
			I-Joist Header		Joist	Uplift kN Short Term	L 36 Flange
			Top	Face			
ITB	–	–	4 - 3.75 x 30	8 - 3.75 x 30	2 - 3.75 x 30	1.07	3.51
ITB	–	Yes	4 - 3.75 x 30	14 - 3.75 x 30	2 - 3.75 x 30	1.07	7.50
ITT	–	Yes	4 - 3.75 x 30	2 - 3.75 x 30	2 - 3.75 x 30	1.07	3.36

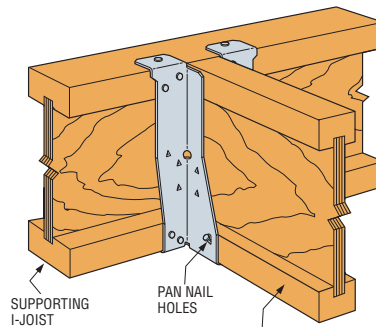
Note: ITB hanger 7.5kN safe working load is for the enhanced nailing see table.

WHEN HEADER IS A GLULAM OR PANELAM

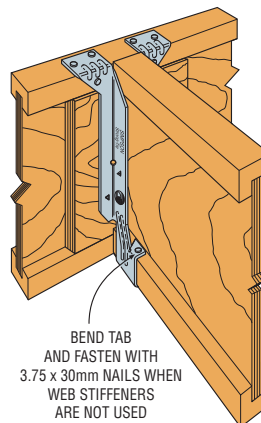
Model Series	Web Stiffeners Required	Backer Blocks Required	Fastener Type		Joist	Safe Working Loads kN	
			Glu-Lam or Panelam			Uplift kN Short Term	GluLam or Panelam
			Top	Face			
ITB	–	–	4 - 3.75 x 30	14 - 3.75 x 30	2 - 3.75 x 30	1.07	7.50
ITT	–	–	4 - 3.75 x 30	2 - 3.75 x 30	2 - 3.75 x 30	1.07	4.67

Note: ITB hanger 7.5kN safe working load is for the enhanced nailing see table.

Joist Height	ITT	ITB
STEICOjoist SJ45		
200	ITT200/47	ITB200/47
220	ITT220/47	ITB220/47
240	ITT9.5	ITB240/47
300	ITT11.88	ITB300/47
360	ITT360/47	–
STEICOjoist SJ60		
200	ITT200/61	ITB200/61
220	ITT220/61	ITB220/61
240	ITT359.5	ITB240/61
300	ITT3511.88	ITB300/61
360	ITT360/61	–
400	ITT399/60	–
STEICOjoist SJ90		
200	ITT200/91	ITB200/91
220	ITT220/91	ITB220/91
240	ITT49.5	ITB240/91
300	ITT411.88	ITB300/91
360	ITT360/91	–
400	ITT399/60	–



ITB Installed with no Backer Block



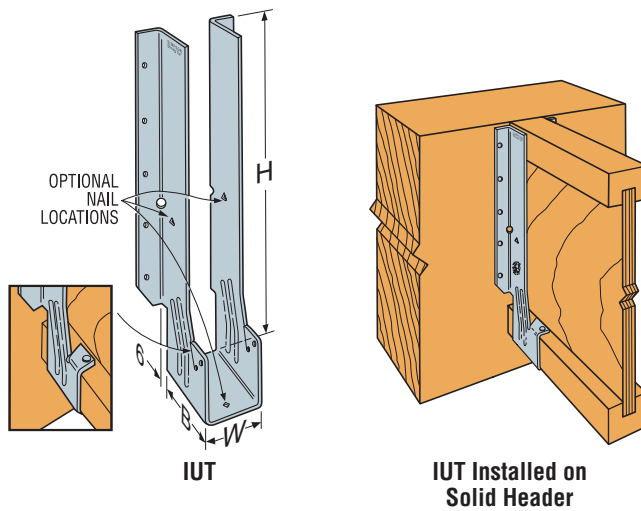
ITT Installed with Backer Block

01827 255 600
www.strongtie.co.uk
STEICO
01322 303434
www.steico.com

Timber Face Fix Hangers

Joist Height	Model	Fastener Type		STEICOjoist Header	GluLam/Penelam Header
		Header	Joist	Safe Working Load kN	Safe Working Load kN
STEICOjoist SJ45					
200	IUT192/47	10 - 3.75x30	2 - 3.75x30	3.48	3.48
220	IUT217/47	12 - 3.75x30	2 - 3.75x30	4.17	4.17
240	IUT217/47	12 - 3.75x30	2 - 3.75x30	4.17	4.17
300	IUT11	10 - 3.75x30	2 - 3.75x30	3.48	3.48
360	IUT14	14 - 3.75x30	2 - 3.75x30	4.87	4.87
STEICOjoist SJ 60					
200	IUT192/61	10 - 3.75x30	2 - 3.75x30	3.48	3.48
220	IUT217/61	12 - 3.75x30	2 - 3.75x30	4.17	4.17
240	IUT217/61	12 - 3.75x30	2 - 3.75x30	4.17	4.17
300	IUT3512	10 - 3.75x30	2 - 3.75x30	3.48	3.48
360	IUT3514	14 - 3.75x30	2 - 3.75x30	4.87	4.87
400	IUT380/61	18 - 3.75x30	2 - 3.75x30	6.26	6.26
STEICOjoist SJ90					
200	IUT192/91	10 - 3.75x30	2 - 3.75x30	3.48	3.48
220	IUT217/91	12 - 3.75x30	2 - 3.75x30	4.17	4.17
240	IUT217/91	12 - 3.75x30	2 - 3.75x30	4.17	4.17
300	IUT412	10 - 3.75x30	2 - 3.75x30	3.48	3.48
360	IUT414	14 - 3.75x30	2 - 3.75x30	4.87	4.87
400	IUT380/91	18 - 3.75x30	2 - 3.75x30	6.26	6.26

Short Term Uplift = 1.07kN



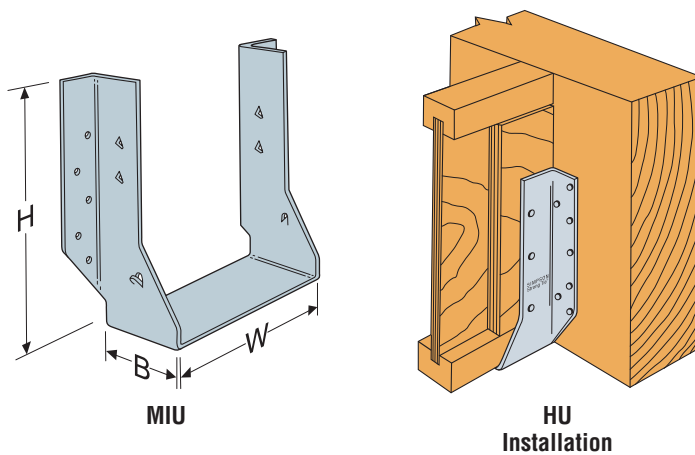
01827 255 600
www.strongtie.co.uk
STEICO
01322 303434
www.steico.com

Timber - Medium Duty Hangers

SINGLE PLY CARRIED MEMBER

Joist Height	Model	Fastener Type		Uplift kN Short Term	STEICO joist Header	GluLam/Panelam Header
		Header	Joist		Safe Working Load kN	Safe Working Load kN
STEICO joist SJ45						
200	HU7	12 - 3.75x30	4 - 3.75x30	2.14	4.75	4.75
220	HU7	12 - 3.75x30	4 - 3.75x30	2.14	4.75	4.75
240	HU9	18 - 3.75x30	6 - 3.75x30	3.21	7.12	7.12
300	HU11	22 - 3.75x30	6 - 3.75x30	3.21	8.70	8.70
360	HU14	28 - 3.75x30	8 - 3.75x30	4.28	11.07	11.07
STEICO joist SJ60						
200	HU7X W=61	12 - 3.75x30	4 - 3.75x30	2.14	4.75	4.75
220	HU7X W=61	12 - 3.75x30	4 - 3.75x30	2.14	4.75	4.75
240	HU9X W=61	18 - 3.75x30	6 - 3.75x30	3.21	7.12	7.12
300	U3516/20	16 - 3.75x30	6 - 3.75x30	3.21	6.32	6.32
360	U3516/20	16 - 3.75x30	6 - 3.75x30	3.21	6.32	6.32
400	U3516/20	16 - 3.75x30	6 - 3.75x30	3.21	6.32	6.32
STEICO joist SJ90						
200	MIU192/92	16 - 3.75x30	2 - 3.75x30	1.07	4.92	4.92
220	MIU217/92	22 - 3.75x30	2 - 3.75x30	1.07	6.77	6.77
240	MIU217/92	22 - 3.75x30	2 - 3.75x30	1.07	6.77	6.77
300	MIU280/92	22 - 3.75x30	2 - 3.75x30	1.07	6.77	6.77
360	HU416	20 - 3.75x30	8 - 3.75x30	4.28	7.91	7.91
400	HU416	20 - 3.75x30	8 - 3.75x30	4.28	7.91	7.91

Shaded area = Web Stiffeners Required.



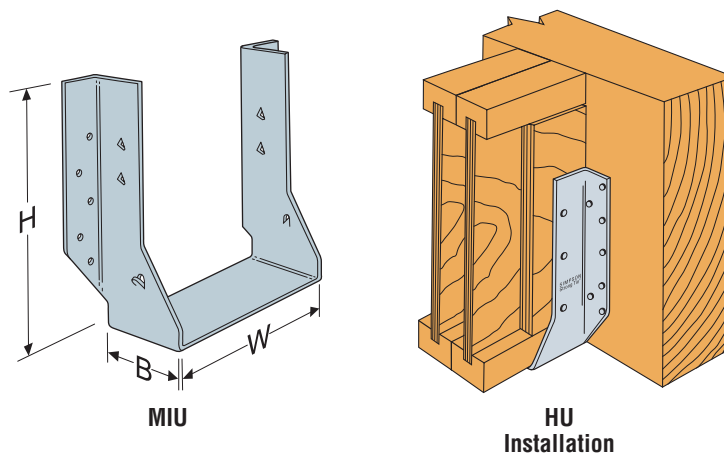
01827 255 600
www.strongtie.co.uk
STEICO
01322 303434
www.steico.com

Timber - Medium Duty Hangers

2-PLY CARRIED MEMBERS

Joist Height	Model	Fastener Type		Uplift kN Short Term	STEICO Joist Header	GluLam/Penel-am Header
		Header	Joist		Safe Working Load kN	Safe Working Load kN
STEICO Joist 2 x SJ 45 = 90mm						
200	MIU192/92	16 - 3.75x30	2 - 3.75x30	1.07	4.92	4.92
220	MIU217/92	22 - 3.75x30	2 - 3.75x30	1.07	6.77	6.77
240	MIU217/92	22 - 3.75x30	2 - 3.75x30	1.07	6.77	6.77
300	MIU280/92	22 - 3.75x30	2 - 3.75x30	1.07	6.77	6.77
360	HU416	20 - 3.75x30	8 - 3.75x30	5.36	7.91	7.91
STEICO Joist 2x SJ 60 = 120mm						
200	MIU192/122	16 - 3.75x30	2 - 3.75x30	1.07	4.92	4.92
220	MIU217/122	22 - 3.75x30	2 - 3.75x30	1.07	6.77	6.77
240	MIU217/122	22 - 3.75x30	2 - 3.75x30	1.07	6.77	6.77
300	MIU280/122	22 - 3.75x30	2 - 3.75x30	1.07	6.77	6.77
360	MIU280/122	22 - 3.75x30	2 - 3.75x30	1.07	6.77	6.77
400	MIU280/122	22 - 3.75x30	2 - 3.75x30	1.07	6.77	6.77
STEICO Joist 2x SJ90 = 180mm						
200	HU530/180	14 - 3.75x30	6 - 3.75x30	2.98	5.54	5.54
220	HU530/180	14 - 3.75x30	6 - 3.75x30	2.98	5.54	5.54
240	HU410-2	14 - 3.75x30	6 - 3.75x30	2.98	5.54	5.54
300	HU412-2	16 - 3.75x30	6 - 3.75x30	2.98	6.33	6.33
360	HU414-2	20 - 3.75x30	8 - 3.75x30	3.97	7.91	7.91
400	HU414-2	20 - 3.75x30	8 - 3.75x30	3.97	7.91	7.91

Shaded area = Web Stiffeners Required.



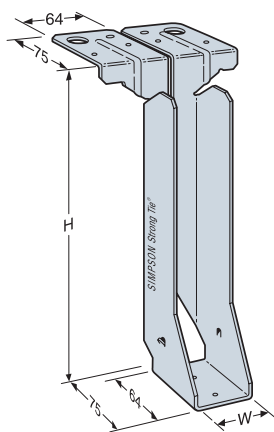
01827 255 600
www.strongtie.co.uk
STEICO
01322 303434
www.steico.com

Masonry Hangers

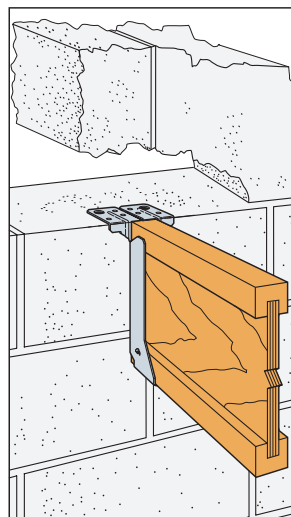
Joist Height	Model	Fastener Type		Safe Working Load kN
		Header	Joist	
STEICOjoist SJ45				
200	JHMI200/47	N/A	2 - 3.75x30	5.05
220	JHMI225/47	N/A	2 - 3.75x30	5.05
240	JHMI240/47*	N/A	2 - 3.75x30	5.05
300	JHMI300/47	N/A	2 - 3.75x30	5.05
360	JHMI350/47	N/A	2 - 3.75x30	5.05
STEICOjoist SJ60				
200	JHMI200/61	N/A	2 - 3.75x30	5.05
220	JHMI225/61	N/A	2 - 3.75x30	5.05
240	JHMI240/61*	N/A	2 - 3.75x30	5.05
300	JHMI300/61	N/A	2 - 3.75x30	5.05
360	JHMI350/61	N/A	2 - 3.75x30	5.05
400	JHMI400/61	N/A	2 - 3.75x30	5.05
STEICOjoist SJ90				
200	JHMI200/91	N/A	2 - 3.75x30	5.05
220	JHMI225/91	N/A	2 - 3.75x30	5.05
240	JHMI240/91*	N/A	2 - 3.75x30	5.05
300	JHMI300/91	N/A	2 - 3.75x30	5.05
360	JHMI350/91	N/A	2 - 3.75x30	5.05
400	JHMI400/91	N/A	2 - 3.75x30	5.05

Masonry hanger safe working loads based on 2.8N/mm² blockwork.

*JHMI225 hangers can be used with 240mm joists where heights are required to line through with block coursing



JHMI



JHMI Installation

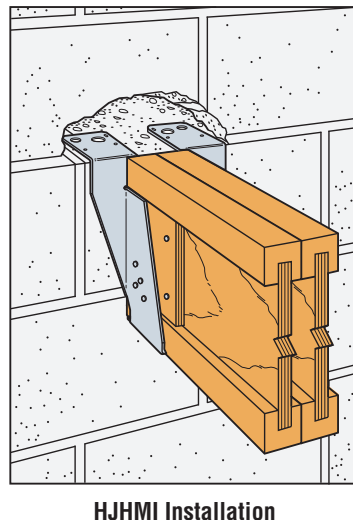
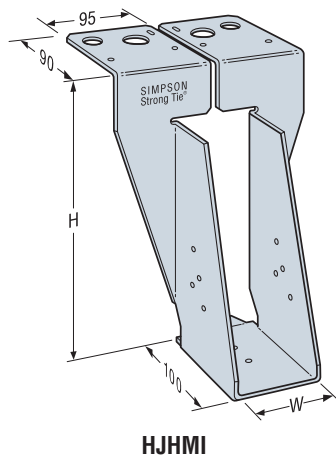
01827 255 600
www.strongtie.co.uk
STEICO
01322 303434
www.steico.com

Heavy Duty Masonry Hangers

2-PLY CARRIED MEMBERS

Joist Height	Model	Fastener Type		Safe Working Load kN
		Header	Joist	
STEICO joist 2 x SJ 45 = 90mm				
200	HJHMI200/91	N/A	8 - 4.0x90	8.53
220	HJHMI225/91	N/A	8 - 4.0x90	8.53
240	HJHMI240/91	N/A	8 - 4.0x90	8.53
300	HJHMI300/91	N/A	8 - 4.0x90	8.53
360	HJHMI350/91	N/A	8 - 4.0x90	8.53
STEICO joist 2 x SJ 60 = 120mm				
200	HJHMI200/120	N/A	8 - 4.0x90	8.53
220	HJHMI225/120	N/A	8 - 4.0x90	8.53
240	HJHMI240/120	N/A	8 - 4.0x90	8.53
300	HJHMI300/120	N/A	8 - 4.0x90	8.53
360	HJHMI350/120	N/A	8 - 4.0x90	8.53
400	HJHMI400/120	N/A	8 - 4.0x90	8.53
STEICO joist 2 x SJ90 = 180mm				
200	HJHMI200/180	N/A	8 - 4.0x90	8.53
220	HJHMI225/180	N/A	8 - 4.0x90	8.53
240	HJHMI240/180	N/A	8 - 4.0x90	8.53
300	HJHMI300/180	N/A	8 - 4.0x90	8.53
360	HJHMI350/180	N/A	8 - 4.0x90	8.53
400	HJHMI400/180	N/A	8 - 4.0x90	8.53

Web Stiffeners Required
Masonry hanger safe working loads based on 2.8N/mm² blockwork.

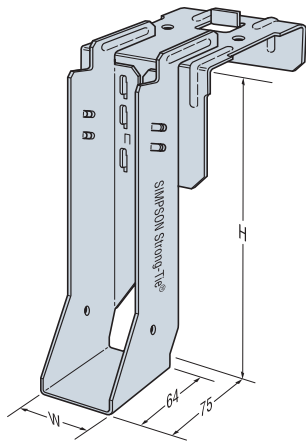


01827 255 600
www.strongtie.co.uk
STEICO
01322 303434
www.steico.com

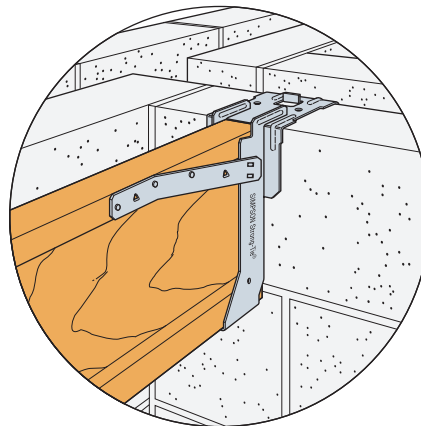
Safety Fast Masonry Hangers

Joist Height	Model	Fastener Type		Safe Working Load kN
		Header	Joist	
STEICOjoist SJ45				
200	SFHI200/47/100	N/A	2 - 3.75x30	5.10
220	SFHI225/47/100	N/A	2 - 3.75x30	5.10
240	SFHI240/47/100	N/A	2 - 3.75x30	5.10
300	SFHI300/47/100	N/A	2 - 3.75x30	5.10
360	SFWHI350/47/100	N/A	2 - 3.75x30	6.80
STEICOjoist SJ60				
200	SFHI200/61/100	N/A	2 - 3.75x30	5.10
220	SFHI225/61/100	N/A	2 - 3.75x30	5.10
240	SFHI240/61/100	N/A	2 - 3.75x30	5.10
300	SFHI300/61/100	N/A	2 - 3.75x30	5.10
360	SFWHI350/61/100	N/A	2 - 3.75x30	6.80
400	SFWHI400/61/100	N/A	2 - 3.75x30	6.80
STEICOjoist SJ90				
200	SFHI200/91/100	N/A	2 - 3.75x30	6.70
220	SFHI225/91/100	N/A	2 - 3.75x30	6.70
240	SFHI240/91/100	N/A	2 - 3.75x30	6.70
300	SFHI300/91/100	N/A	2 - 3.75x30	6.70
360	SFWHI350/91/100	N/A	2 - 3.75x30	7.80
400	SFWHI400/91/100	N/A	2 - 3.75x30	7.80

Masonry hanger safe working loads based on 2.8N/mm² blockwork.



SFHI



SFHI Installed

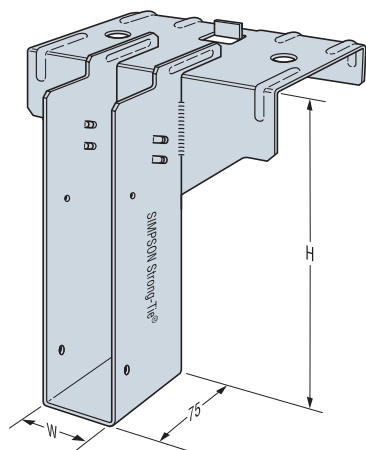
01827 255 600
www.strongtie.co.uk
STEICO
01322 303434
www.steico.com

Heavy Duty Safety Fast Masonry Hangers

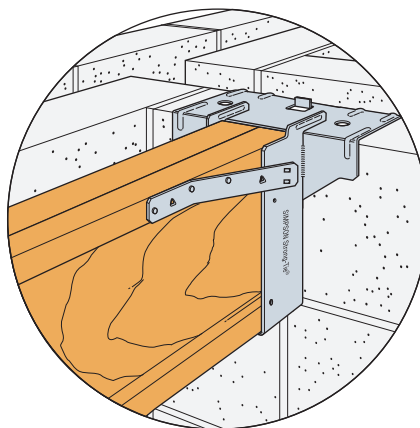
2-PLY CARRIED MEMBERS

Joist Height	Model	Fastener Type		Safe Working Load kN
		Header	Joist	
STEICO joist 2 x SJ 45 = 90mm				
200	SFWHI200/91/100	N/A	2 - 3.75x30	7.80
220	SFWHI225/91/100	N/A	2 - 3.75x30	7.80
240	SFWHI240/91/100	N/A	2 - 3.75x30	7.80
300	SFWHI300/91/100	N/A	2 - 3.75x30	7.80
360	SFWHI350/91/100	N/A	2 - 3.75x30	7.80
STEICO joist 2x SJ 60 = 120mm				
200	SFWHI200/120/100	N/A	2 - 3.75x30	7.80
220	SFWHI225/120/100	N/A	2 - 3.75x30	7.80
240	SFWHI240/120/100	N/A	2 - 3.75x30	7.80
300	SFWHI300/120/100	N/A	2 - 3.75x30	7.80
360	SFWHI350/120/100	N/A	2 - 3.75x30	7.80
400	SFWHI400/120/100	N/A	2 - 3.75x30	7.80
STEICO joist 2x SJ90 = 180mm				
200	SFWHI200/180/100	N/A	2 - 3.75x30	7.80
220	SFWHI225/180/100	N/A	2 - 3.75x30	7.80
240	SFWHI240/180/100	N/A	2 - 3.75x30	7.80
300	SFWHI300/180/100	N/A	2 - 3.75x30	7.80
360	SFWHI350/180/100	N/A	2 - 3.75x30	7.80
400	SFWHI400/180/100	N/A	2 - 3.75x30	7.80

Masonry hanger safe working loads based on 2.8N/mm² blockwork.



SFWHI



SFWHI Installed

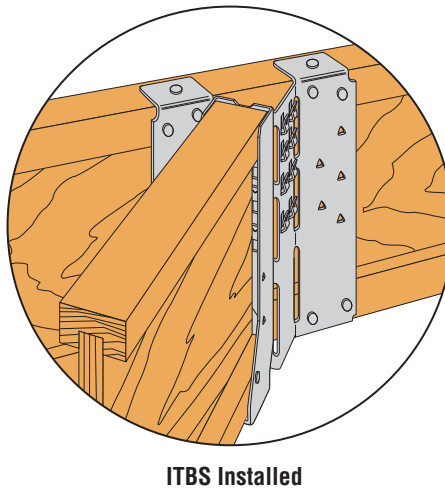
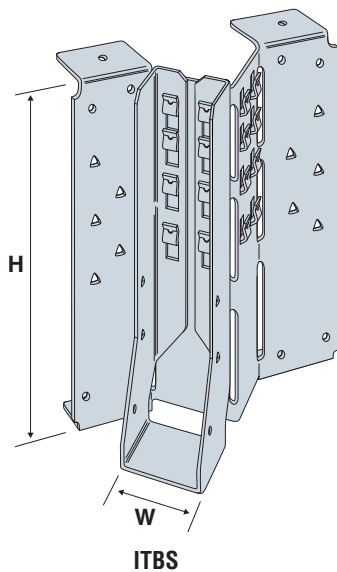
01827 255 600
www.strongtie.co.uk
STEICO
01322 303434
www.steico.com

Timber - Skew Timber Hangers

Model Series	Web Stiffeners Required	Backer Blocks Required	Fastener Type			Safe Working Loads kN	
			STEICO <i>joist</i> Header		Joist	Uplift kN Short Term	L36 Flange
			Top	Face			
ITBS	–	–	4 - 3.75 x 30	8 - 3.75 x 30	2 - 3.75 x 30	0.70	2.10
ITBS	–	Yes	4 - 3.75 x 30	14 - 3.75 x 30	2 - 3.75 x 30	0.70	6.30

Joist Height	Model	Fastener Type		Uplift kN Short Term	Safe Working Load kN
		Header	Joist		
Joist Width = 45mm					
200	ITBS200/47	As above		As above	
220	ITBS220/47				
240	ITBS240/47				
300	ITBS301/47				
360	SUR1.81/11*	10 - 3.75x30	10 - 3.75x30	3.42	3.28
Joist Width = 60mm					
200	ITBS200/61	As above		As above	
220	ITBS220/61				
240	ITBS240/61				
300	ITBS301/61				
360	SURI3514/20*	18 - 3.75x30	8 - 3.75x30	2.73	5.11
400	SURI3514/20*	18 - 3.75x30	8 - 3.75x30	2.73	5.11
Joist Width = 90mm					
200	ITBS200/91	As above		As above	
220	ITBS220/91				
240	ITBS240/91				
300	ITBS301/91				
360	HSUR414	26 - 3.75x30	8 - 3.75x30	2.73	8.58
400	HSUR414	26 - 3.75x30	8 - 3.75x30	2.73	8.58

Shaded area = Web Stiffeners Required
* = right hand version, for left hand quote SUL/HSUL

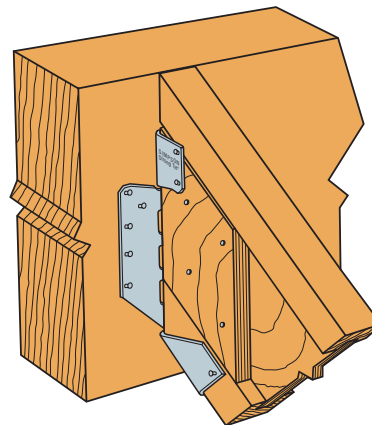
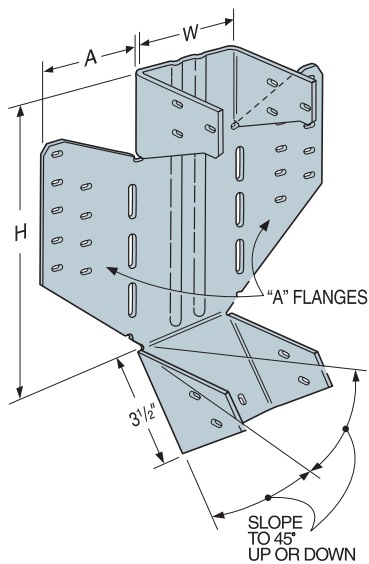


01827 255 600
www.strongtie.co.uk
STEICO
01322 303434
www.steico.com

Roof - Skew & Slope Timber Hangers

Joist Height	Model	Fastener Type		Uplift kN Short Term	Safe Working Load kN
		Header	Joist		
STEICOjoist SJ45					
200	–	–	–	–	–
220	–	–	–	–	–
240	LSSUI25	9 - 3.75x75	7 - 3.75x30	3.25	4.43
300	LSSUI25	9 - 3.75x75	7 - 3.75x30	3.25	4.43
360	LSSUI25	9 - 3.75x75	7 - 3.75x30	3.25	4.43
STEICOjoist SJ60					
200	–	–	–	–	–
220	–	–	–	–	–
240	LSSUI35	9 - 3.75x75	7 - 3.75x30	3.25	4.43
300	LSSUI35	9 - 3.75x75	7 - 3.75x30	3.25	4.43
360	LSSUI35	9 - 3.75x75	7 - 3.75x30	3.25	4.43
400	LSSUI35	9 - 3.75x75	7 - 3.75x30	3.25	4.43
STEICOjoist SJ90					
200	–	–	–	–	–
220	–	–	–	–	–
240	LSSU410	14 - 3.75x75	12 - 3.75x30	5.12	8.12
300	LSSU410	14 - 3.75x75	12 - 3.75x30	5.12	8.12
360	LSSU410	14 - 3.75x75	12 - 3.75x30	5.12	8.12
400	LSSU410	14 - 3.75x75	12 - 3.75x30	5.12	8.12

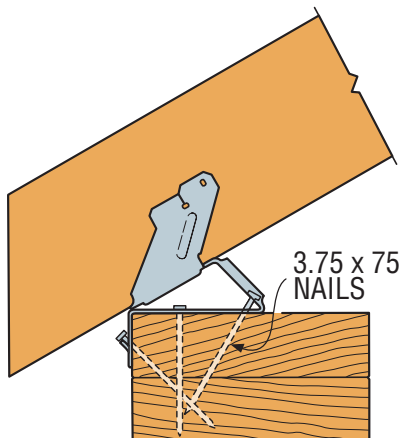
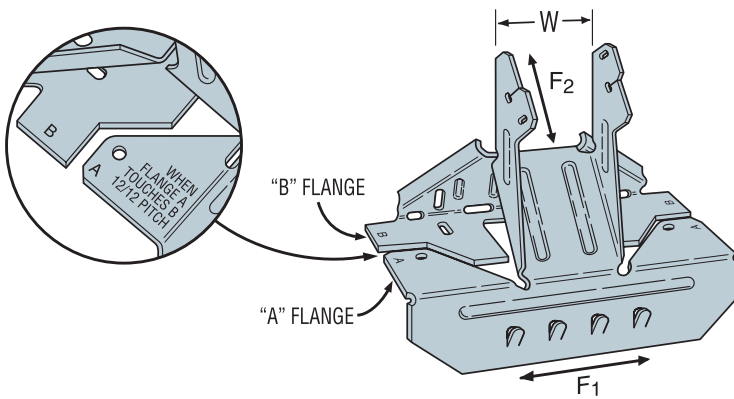
Shaded area = Web Stiffeners Required



01827 255 600
www.strongtie.co.uk
STEICO
01322 303434
www.steico.com

Roof - Variable Pitch Hangers

Joist Height	Model	Fastener Type		Uplift kN Short Term	Safe Working Load kN
		Header	Joist		
STEICOjoist SJ45					
200	VPA25	8 - 3.75x75	2 - 3.75x30	1.07	3.74
220	VPA25	8 - 3.75x75	2 - 3.75x30	1.07	3.74
240	VPA25	8 - 3.75x75	2 - 3.75x30	1.07	3.74
300	VPA25	8 - 3.75x75	2 - 3.75x30	1.07	3.74
360	VPA25	8 - 3.75x75	2 - 3.75x30	1.07	3.74
STEICOjoist SJ60					
200	VPA35	9 - 3.75x75	2 - 3.75x30	1.07	4.54
220	VPA35	9 - 3.75x75	2 - 3.75x30	1.07	4.54
240	VPA35	9 - 3.75x75	2 - 3.75x30	1.07	4.54
300	VPA35	9 - 3.75x75	2 - 3.75x30	1.07	4.54
360	VPA35	9 - 3.75x75	2 - 3.75x30	1.07	4.54
400	VPA35	9 - 3.75x75	2 - 3.75x30	1.07	4.54
STEICOjoist SJ90					
200	VPA4	9 - 3.75x75	2 - 3.75x30	1.07	4.54
220	VPA4	9 - 3.75x75	2 - 3.75x30	1.07	4.54
240	VPA4	11 - 3.75x75	2 - 3.75x30	1.07	4.56
300	VPA4	11 - 3.75x75	2 - 3.75x30	1.07	4.56
360	VPA4	11 - 3.75x75	2 - 3.75x30	1.07	4.56
400	VPA4	11 - 3.75x75	2 - 3.75x30	1.07	4.56

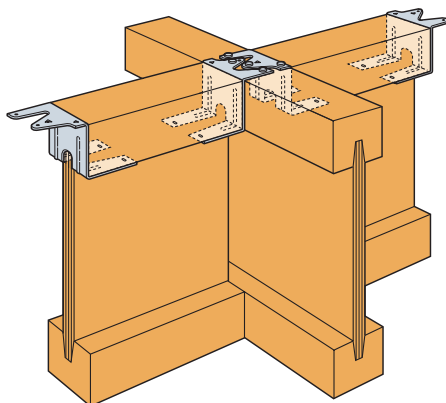
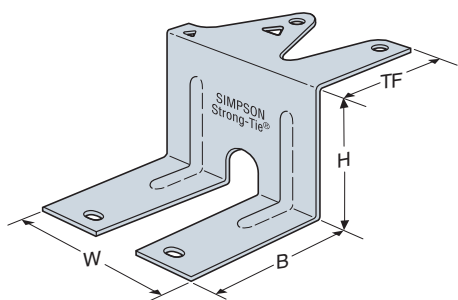


01827 255 600
www.strongtie.co.uk
STEICO
01322 303434
www.steico.com

Slotted Z Clip

- The Z Clip allows noggins between joists to support floor decks or partitions.
- The unique bottom flanges allow I-Joists to be used as noggins
- Embossed bottom flange provides greater enhanced resistance to bending.
- Obround nail holes in the bottom flange ensure easier angled nailing.

Model No.	Dimensions				Fasteners	Safe Working Load
	W	H	B	TF		
ZS33N	52	33	51	31	4 - 3.75x30	0.8
ZS35N	52	35	49	31	4 - 3.75x30	0.8
ZS38N	52	38	46	31	6 - 3.75x30	0.8
ZS45N	52	45	39	31	7 - 3.75x30	0.8



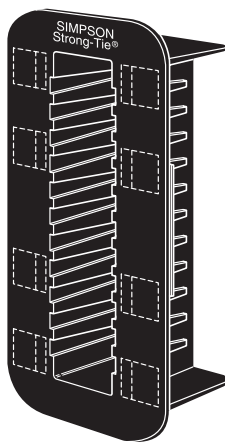
01827 255 600
www.strongtie.co.uk
 STEICO
 01322 303434
www.steico.com

Safety Fast Joist Cap

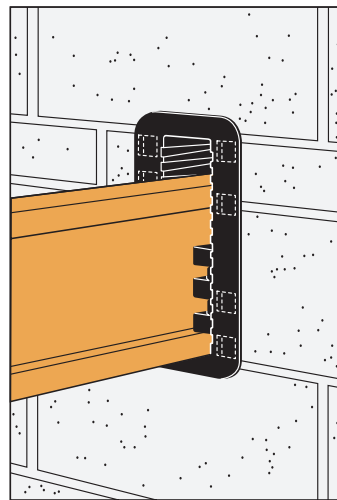
Page 15 of 16

Model No.	Dimensions (mm)		Joist Size (mm)	
	Width	Height	Width	Height
SFJC305/50	50	305	up to 50	up to 302
SFJC305/100	100	305	up to 100	up to 302

Note: When using Safety Fast Joist Caps on external walls a horizontal restraint strap is required at a maximum 2.0 metre c/c.



SFJC



SFJC Installed

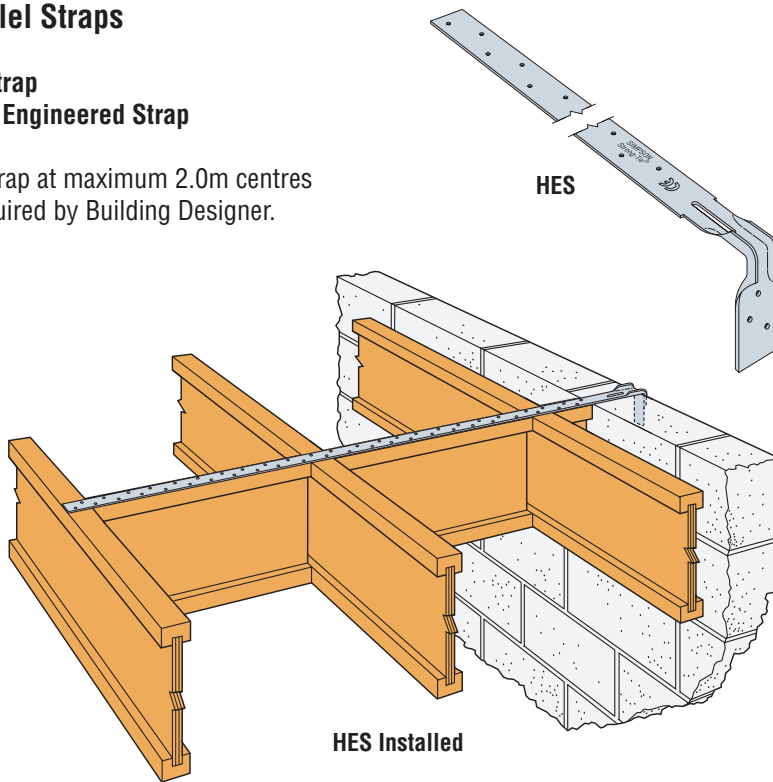
01827 255 600
www.strongtie.co.uk
STEICO
 01322 303434
www.steico.com

Restraint Straps

Parallel Straps

HES Strap Heavy Engineered Strap

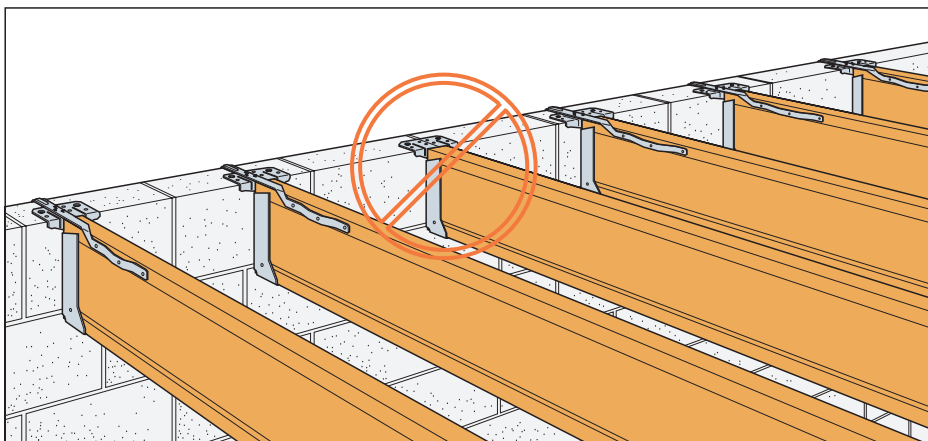
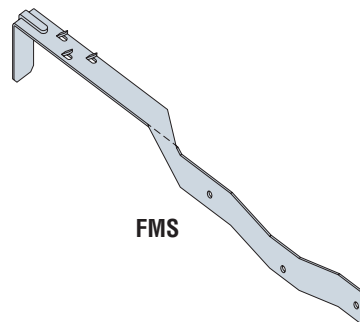
One strap at maximum 2.0m centres as required by Building Designer.



Perpendicular Straps

FMS Strap Folded Mini Strap

One strap with every masonry hanger (and joist ends on buildings of more than 2 storeys) at max 0.6m centres.



This guide is effective until January 1, 2009, and reflects information available as of June 1, 2007. This information is updated periodically and should not be relied upon after January 1, 2009; contact Simpson for current information and limited warranty or see www.strongtie.co.uk.

**Simpson Strong-Tie
United Kingdom Office**
Winchester Road
Cardinal Point
Tamworth
Staffordshire B78 3HG
FAX: 01827 255 616

01827 255 600
www.strongtie.co.uk
STEICO
01322 303434
www.steico.com

© 2007
Simpson Strong-Tie Company, Inc.

T-UK-CSGSA 6/07
exp. 01/009